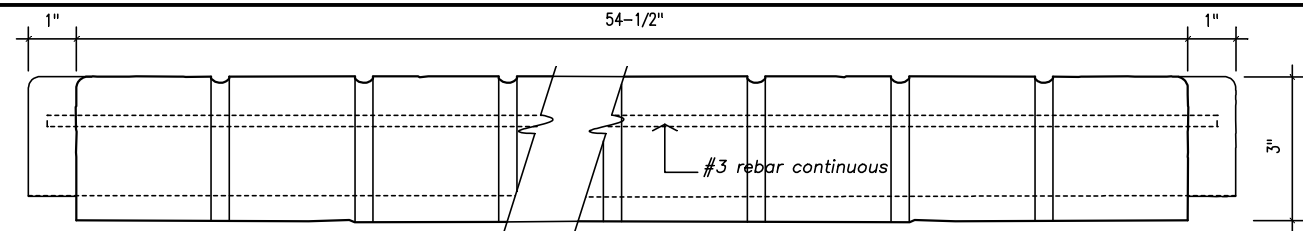




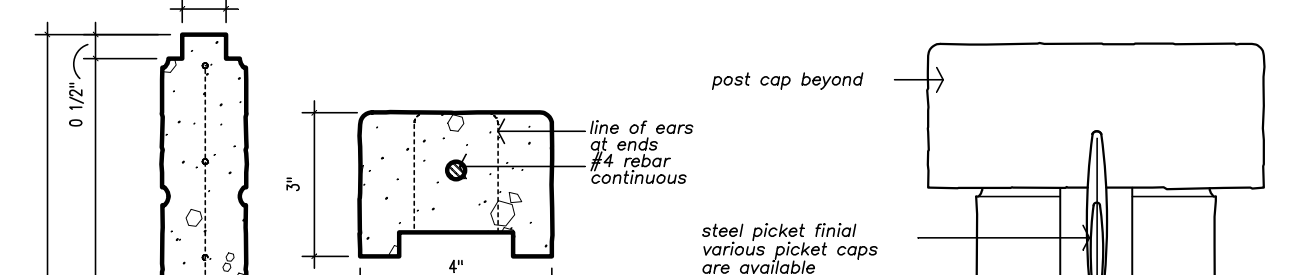
# FENCECRETE AMERICA, INC.

manufacturers of precast concrete fencing and masonry wall systems  
 15089 tradesmen drive san antonio, texas 78249 210-492-7911 800-229-7811 www.fencecrete.com



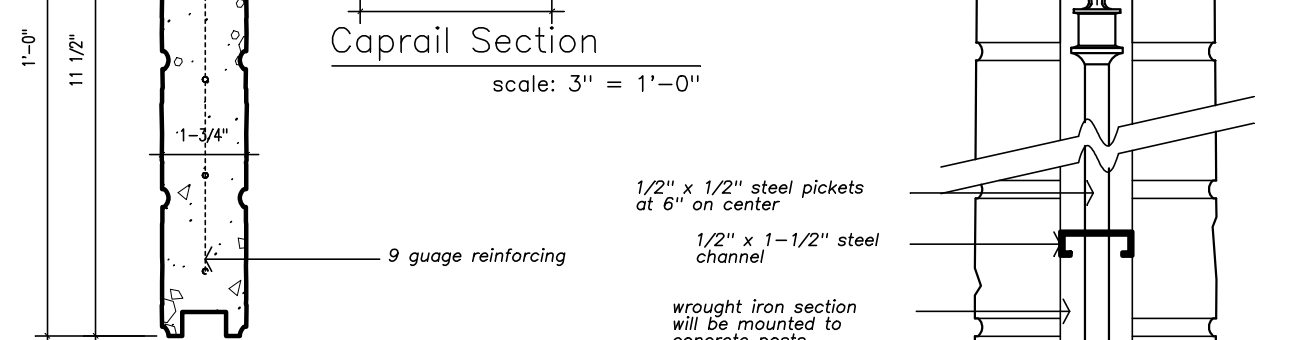
Caprail Elevation

scale: 3" = 1'-0"



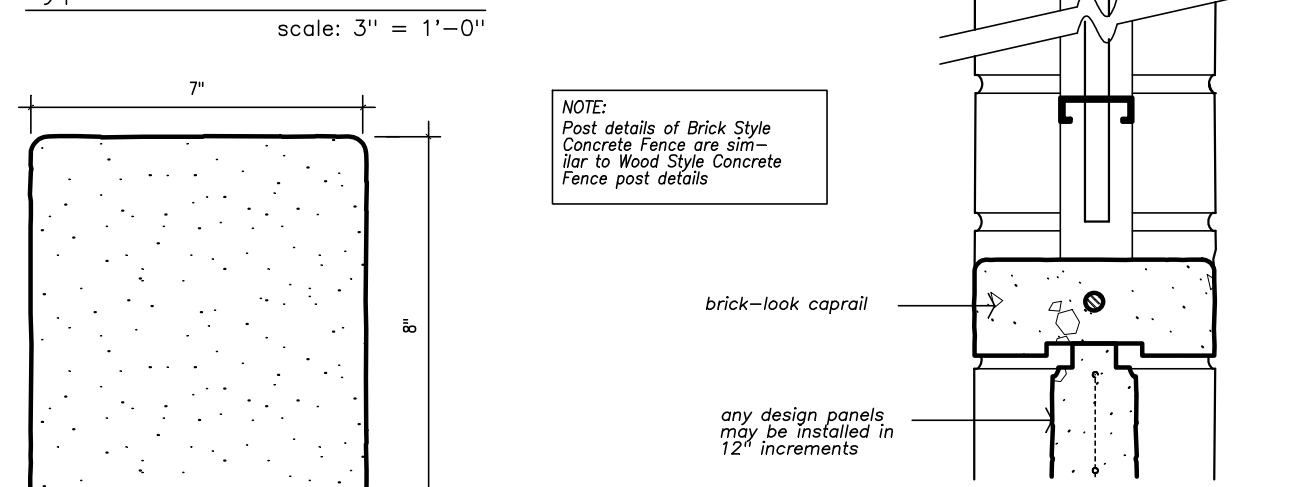
Caprail Section

scale: 3" = 1'-0"



Typical Panel Section

scale: 3" = 1'-0"



NOTE:  
 Post details of Brick Style Concrete Fence are similar to Wood Style Concrete Fence post details

Section Through Fence

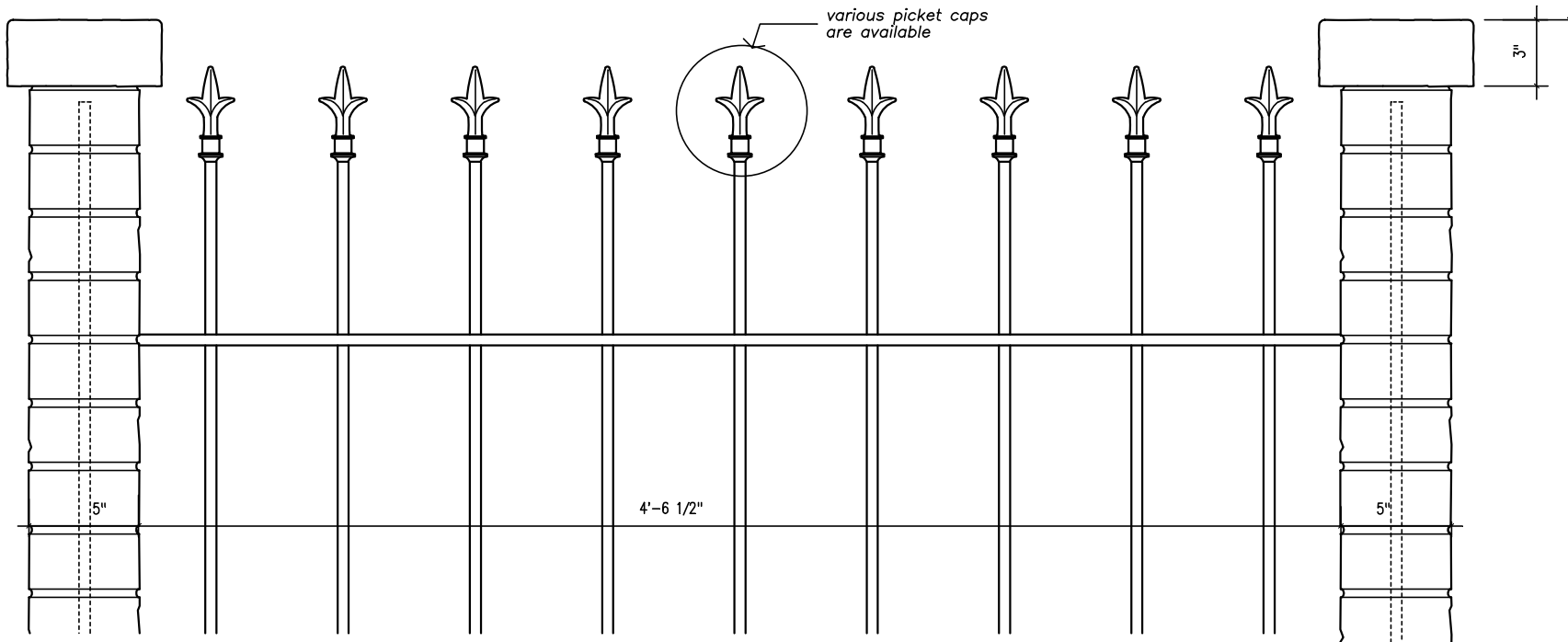
scale: 3" = 1'-0"

Brick Column Post Cap

scale: 3" = 1'-0"

- notes:
1. The column height can be from 0 to a maximum of 10'-0". Additional heights are available upon special order.
  2. All concrete shall be 5000 p.s.i.
  3. All reinforcement shall be A.S.T.M. 615 grade 60. Special reinforcement is available upon special order.
  4. Footing - 2 feet deep (min.) footing standard per column, 12" - 18" diameter. Depth and diameter can vary per local soil conditions.
  5. Used brick style panels can be provided in a variety of colors.
  6. Texture: All exposed sides have brick-like texture.
  7. Gates: Shall have additional steel supports adjacent to concrete columns.
  8. All steel reinforcement is prewelded with steel spacers so as to allow for maximum concrete coverage.
  9. A special silicone sealant is used to lock the caprail and post caps in place. This sealant requires special tools for removal.
  10. Any fence style base panels may be used in 12" increments, with varying heights of steel pickets.

We reserve the right to alter the design or specifications without incurring any obligation, all rights reserved.  
 Fencecrete America, Inc.



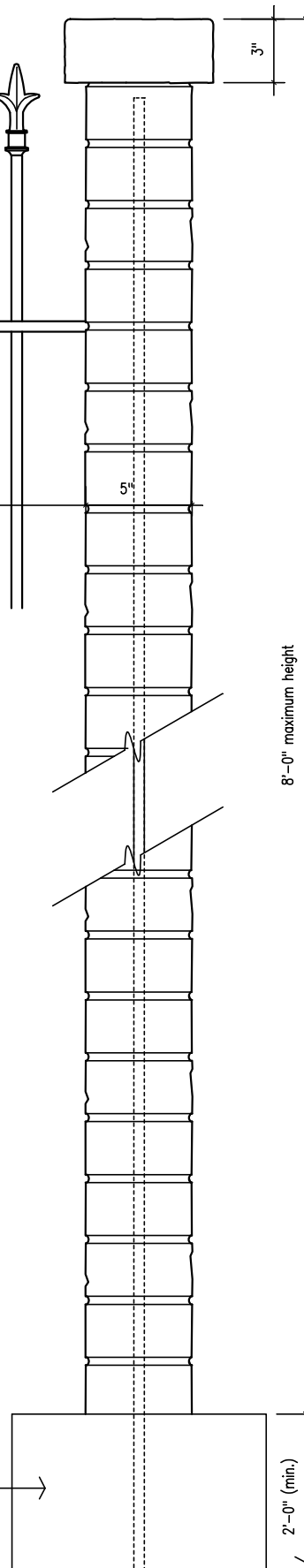
Partial Fence Elevation

scale: 1-1/2" = 1'-0"



Used Brick Style Concrete Fence with Wrought-Iron infill

footing: 18" diameter, 24" deep (min.)  
 3000 p.s.i. concrete, varies according to local soil conditions



8'-0" maximum height

2'-0" (min.)